



## Stainless Steel 316

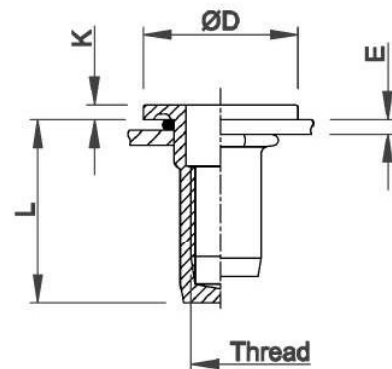
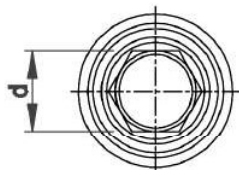
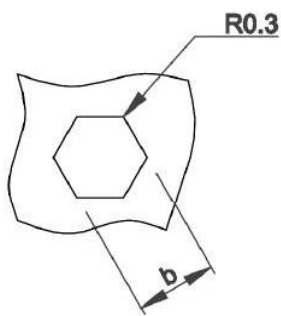
(contains > 2% Molybden)

Semi-hexagonal shank  
Flat head with underhead seal  
Closed end

HX

watertight  
10 bar (IP68<sup>1</sup>)

extra high  
corrosion resistance



THREAD	TYPE	E = grip	L	b <sup>+0,1</sup> = hex hole	d = hex shank	D	K	kg/1000	ORDER CODE	BOX Small	BOX Large
M5	HX3001	0,5-3,0	19,0	7,0	7,0	13,5	1,5	3,8	555 905	(500)	2500
	HX4501	3,0-4,5	20,5	7,0	7,0	13,5	1,5	4,0	555 910	-	2500
M6	HX3001	0,5-3,0	21,5	9,0	9,0	16,0	1,5	7,5	556 903	(500)	500
	HX4501	2,0-4,5	22,8	9,0	9,0	16,0	1,6	8,3	556 906	-	500
M8	HX3001	0,5-3,0	25,0	11,0	11,0	21,0	2,0	13,1	558 902	-	500
	HX5501	3,0-5,5	27,5	11,0	11,0	21,0	2,0	13,6	558 905	-	500
M12	HX10001	7,0-10,0	40,7	16,0	16,0	28,0	2,3	36,0	552 903*	-	-

Small box: only for DFS customers, not export - (xxx) handling cost can be charged

Other grip ranges and dimensions on demand

All dimensions in mm - Technical data subject to modification  
Tolerances and characteristics see chapter 'Technical Information'

<sup>1</sup> IP68 guaranteed under Dejong test conditions

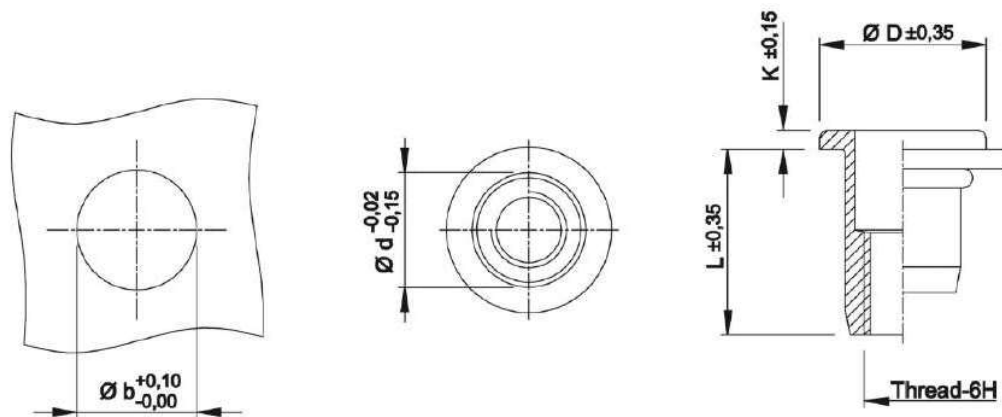


## Technical Data

- General tolerances

	Head form	Dimensions in mm	Dimensions in inches
D (head diameter)	Flat head Countersunk head Low profile head	$\pm 0,35$ 0 -0,5 -0,15 +0,3	$\pm .014$ 0 -.020 -.006 +.012
K (head thickness)	Flat head Countersunk head Low profile head	$\pm 0,15$ 0 +0,3 -0,05 +0,3	$\pm .006$ 0 +.012 -.002 +.012
L (length)	General Stainless M10 shank 13 mm	$\pm 0,35$ $\pm 0,5$	$\pm .014$ $\pm .020$
Metric thread= 6H			
Shank size	General (incl. KN) Splined shank (RS) M10 shank 12,4 mm	-0,02 -0,15 $\pm 0,08$ $\pm 0,08$	-.001 -.006 $\pm .003$ $\pm .003$

Example:



- Recommended tightening torque values (Nm)

Max. recommended torque to avoid damaging the threaded connection and ensure optimal screw-nut assembly:

	M3	M4	M5	M6	M8	M10	M12
Aluminium	2,0	2,2	4,5	9,5	17,0	30,0	
Steel	2,5	3,0	5,9	11,0	25,0	49,0	80,0
Stainless Steel	2,5	3,0	5,9	11,0	25,0	49,0	80,0

Recommendations for 8.8 bolts in steel and class A2-70 bolts in stainless steel.